

ERB26N Ring & Bushing Series

Axial Load Range: 25 to 500 lbs

Radial Load Range: 20 to 300 lbs

Imperial
Data

all dimensions in
inches

Features & Benefits

- Wide Load Range
- Excellent Rebound Protection
- Loading in the Axial or Radial Direction

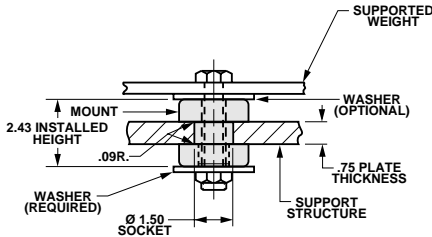
Material Information

- Elastomer: Neoprene
- Metals: Low Carbon Steel
Rust Preventative Coating
- Temperature Range: 0°F to 200°F

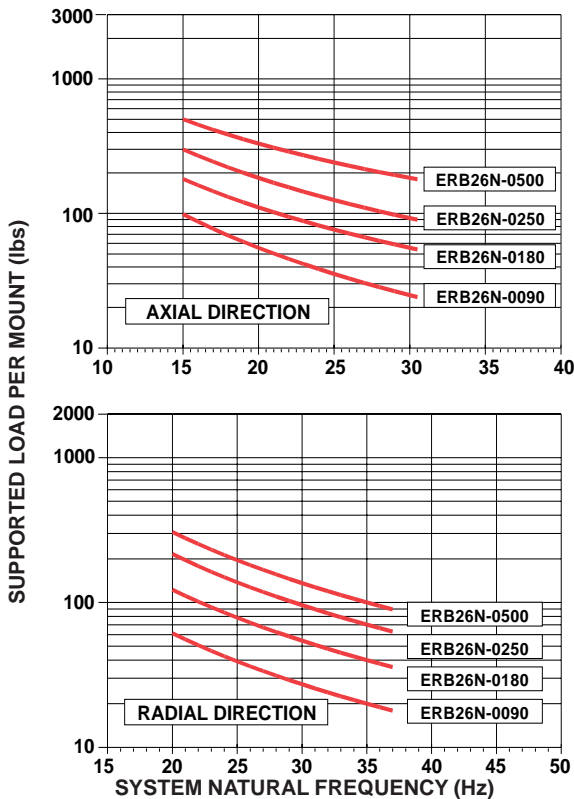
Typical Applications

- Construction Equipment
- Electric Motors
- Heavy Duty Applications
- HVAC Equipment
- Radiators and Tanks

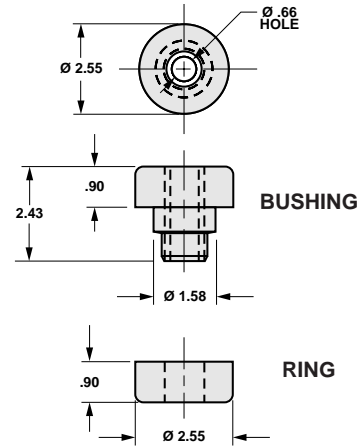
Mount Installation



LOAD VS. SYSTEM NATURAL FREQUENCY



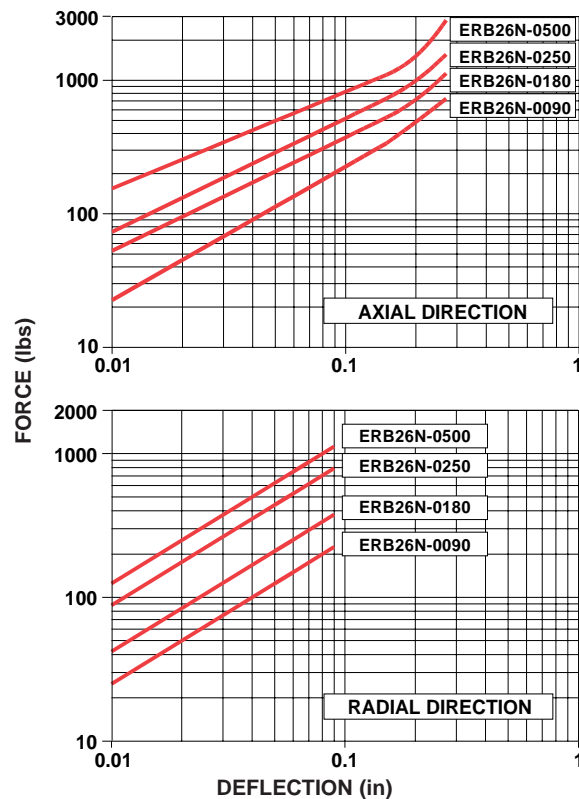
Mount Dimensions



Hardware Options

NUMBER OF WASHERS	HARDWARE CODE	WASHER DIMENSIONS		
		INSIDE DIAMETER (in)	OUTSIDE DIAMETER (in)	THICKNESS (in)
0	00	.66	2.81	.19
1	01			
2	02			

LOAD VS. DEFLECTION



ERB26N Ring & Bushing Series

Axial Load Range: 100 to 2200 N

Radial Load Range: 90 to 1300 N

Metric
Data

all dimensions in
millimeters

Features & Benefits

- Wide Load Range
- Excellent Rebound Protection
- Loading in the Axial or Radial Direction

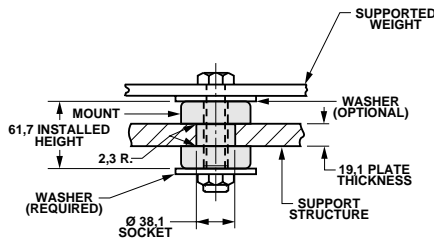
Material Information

- Elastomer: Neoprene
- Metals: Low Carbon Steel
Rust Preventative Coating
- Temperature Range: -20°C to 90°C

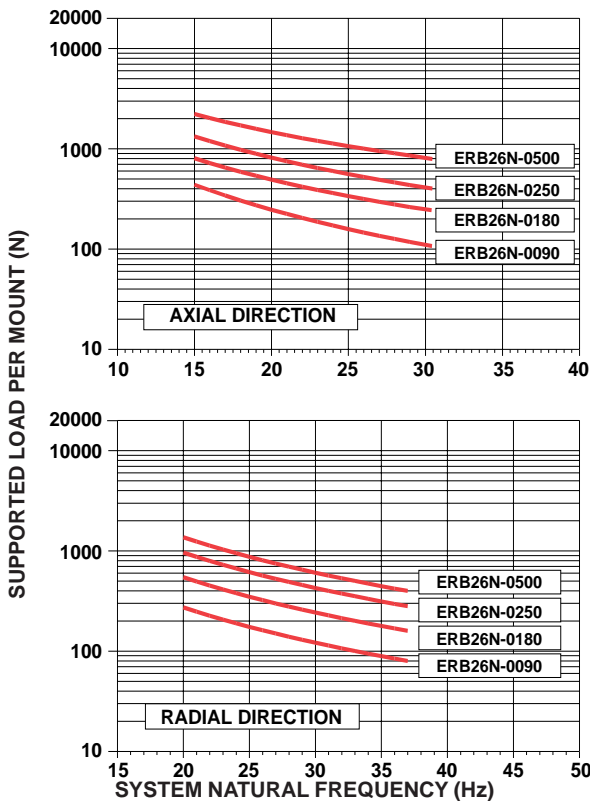
Typical Applications

- Construction Equipment
- Electric Motors
- Heavy Duty Applications
- HVAC Equipment
- Radiators and Tanks

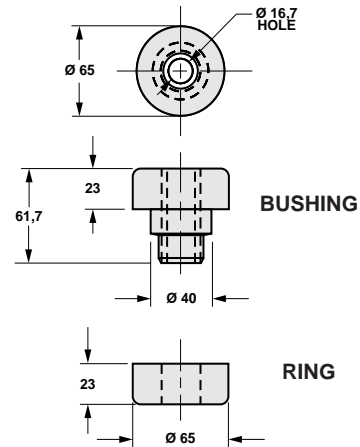
Mount Installation



LOAD VS. SYSTEM NATURAL FREQUENCY



Mount Dimensions



Hardware Options

NUMBER OF WASHERS	HARDWARE CODE	WASHER DIMENSIONS		
		INSIDE DIAMETER (mm)	OUTSIDE DIAMETER (mm)	THICKNESS (mm)
0	00			
1	01			
2	02	17	71	5

LOAD VS. DEFLECTION

