

EMM40N Machinery Mount Series

Imperial
Data

Axial Load Range: 35 to 700 lbs

all dimensions in
inches

Features & Benefits

- Low Profile
- Prevents Transmission of Noise and Vibration
- Loading in the Axial Direction

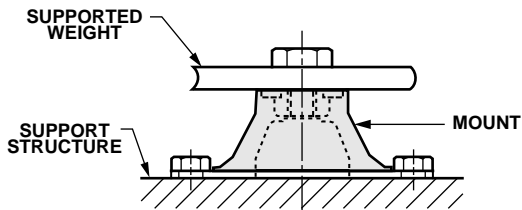
Material Information

- Elastomer: Neoprene
- Metals: Low Carbon Steel
Rust Preventative Coating
- Temperature Range: 0°F to 200°F

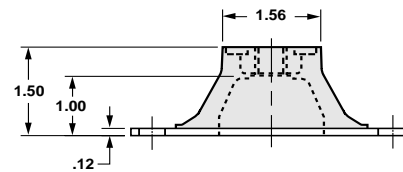
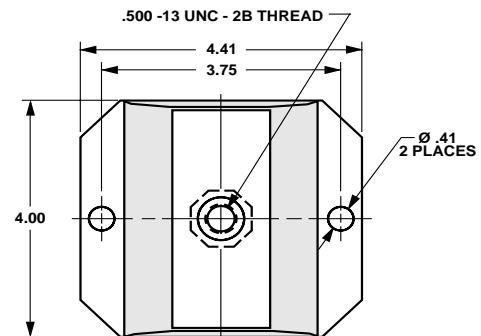
Typical Applications

- Blowers
- Centrifuges
- Gear Boxes
- Motors
- Pumps

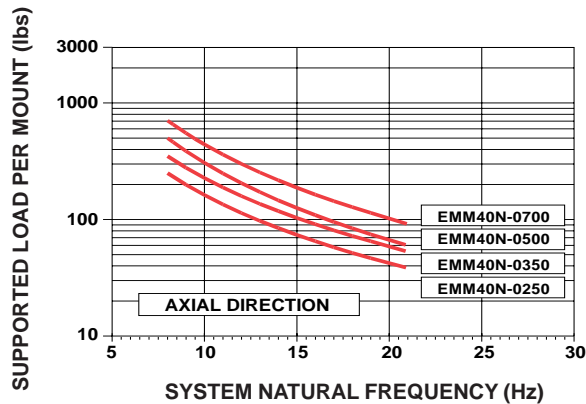
Mount Installation



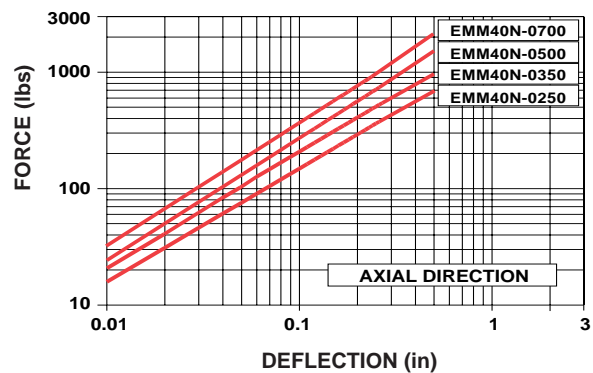
Mount Dimensions



LOAD VS. SYSTEM NATURAL FREQUENCY



LOAD VS. DEFLECTION



EMM40N Machinery Mount Series

Metric
Data

Axial Load Range: 150 to 3000 N

all dimensions in
millimeters

Features & Benefits

- Low Profile
- Prevents Transmission of Noise and Vibration
- Loading in the Axial Direction

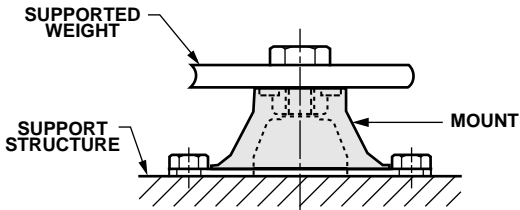
Material Information

- Elastomer: Neoprene
- Metals: Low Carbon Steel
Rust Preventative Coating
- Temperature Range: -20°C to 90°C

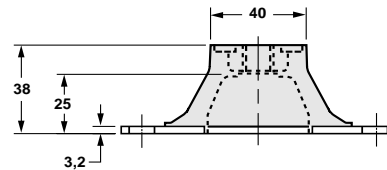
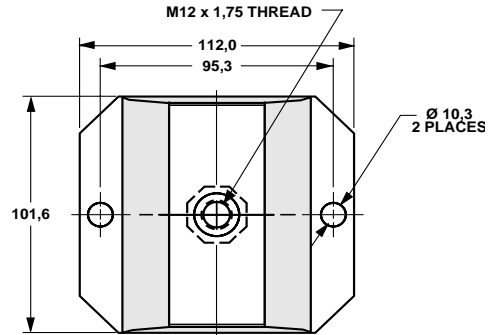
Typical Applications

- Blowers
- Centrifuges
- Gear Boxes
- Motors
- Pumps

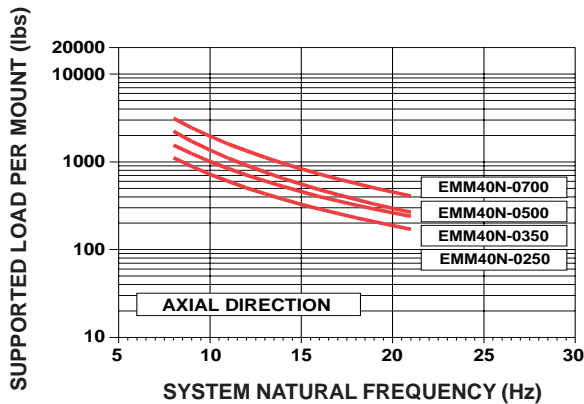
Mount Installation



Mount Dimensions



LOAD VS. SYSTEM NATURAL FREQUENCY



LOAD VS. DEFLECTION

