

ELP38N Low Profile Mount Series

Imperial
Data

Axial Load Range: 40 to 570 lbs
Radial Load Range: 40 to 570 lbs

all dimensions in
inches

Features & Benefits

- Rugged Construction
- Low Natural Frequency
- Loading in the Axial or Radial Direction
- Radial to Axial Stiffness Ratio is Approximately 1:1

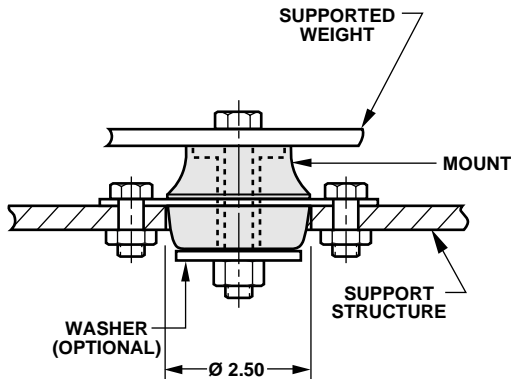
Material Information

- Elastomer: Neoprene
- Metals: Low Carbon Steel
Rust Preventative Coating
- Temperature Range: 0°F to 200°F

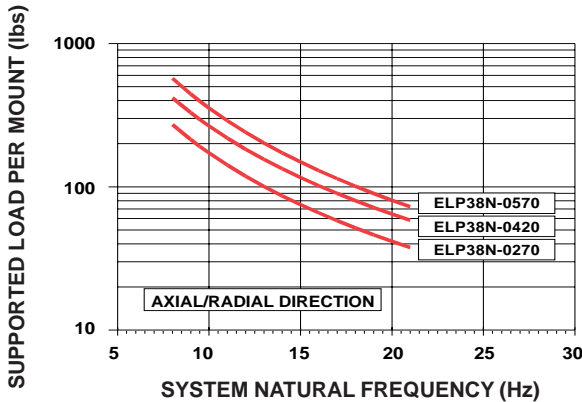
Typical Applications

- Air Conditioning Units
- Compressors
- Electronic Equipment
- Engines
- Shipboard Equipment

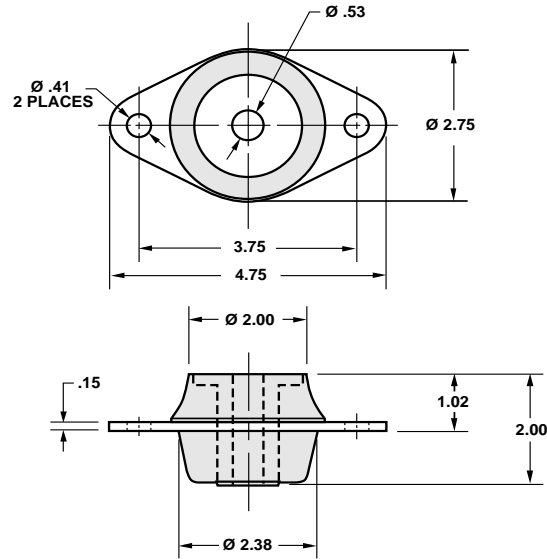
Mount Installation



LOAD VS. SYSTEM NATURAL FREQUENCY



Mount Dimensions

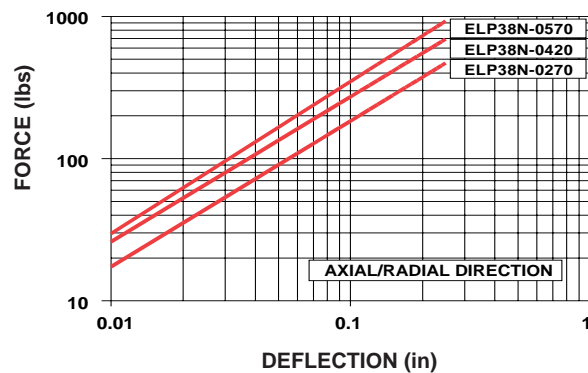


Hardware Options

NUMBER OF WASHERS	HARDWARE CODE
0	00
1	01

WASHER DIMENSIONS		
INSIDE DIAMETER (in)	OUTSIDE DIAMETER (in)	THICKNESS (in)
.52	2.00	.13

LOAD VS. DEFLECTION



ELP38N Low Profile Mount Series

Axial Load Range: 175 to 2500 N

Radial Load Range: 175 to 2500 N

Metric
Data

all dimensions in
millimeters

Features & Benefits

- Rugged Construction
- Low Natural Frequency
- Loading in the Axial or Radial Direction
- Radial to Axial Stiffness Ratio is Approximately 1:1

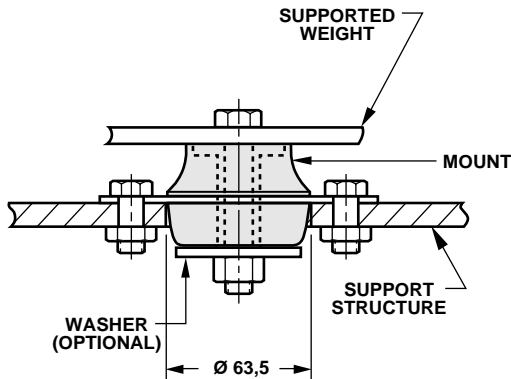
Material Information

- Elastomer: Neoprene
- Metals: Low Carbon Steel
Rust Preventative Coating
- Temperature Range: -20°C to 90°C

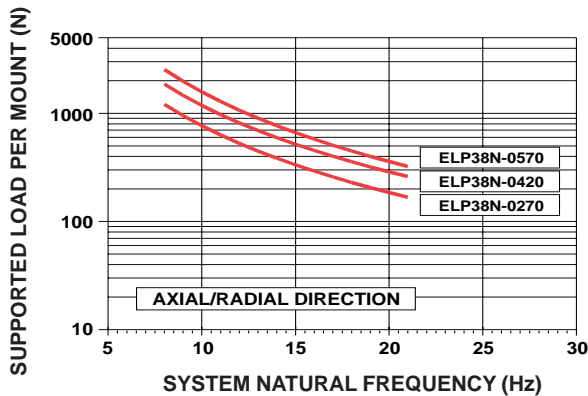
Typical Applications

- Air Conditioning Units
- Compressors
- Electronic Equipment
- Engines
- Shipboard Equipment

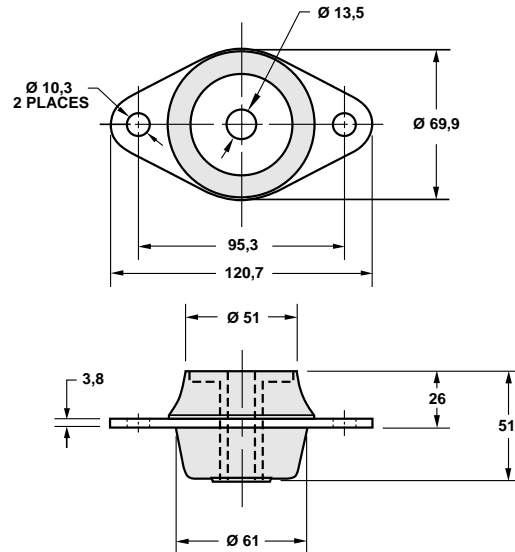
Mount Installation



LOAD VS. SYSTEM NATURAL FREQUENCY



Mount Dimensions



Hardware Options

NUMBER OF WASHERS	HARDWARE CODE
0	00
1	01

WASHER DIMENSIONS		
INSIDE DIAMETER (mm)	OUTSIDE DIAMETER (mm)	THICKNESS (mm)
13	51	3

LOAD VS. DEFLECTION

