

# ERB19N Ring & Bushing Series

Axial Load Range: 15 to 300 lbs

Radial Load Range: 15 to 200 lbs

Imperial  
Data

all dimensions in  
inches

## Features & Benefits

- Wide Load Range
- Excellent Rebound Protection
- Loading in the Axial or Radial Direction

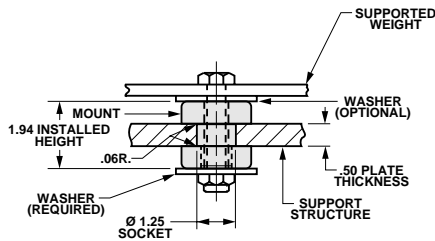
## Material Information

- Elastomer: Neoprene
- Metals: Low Carbon Steel  
Rust Preventative Coating
- Temperature Range: 0°F to 200°F

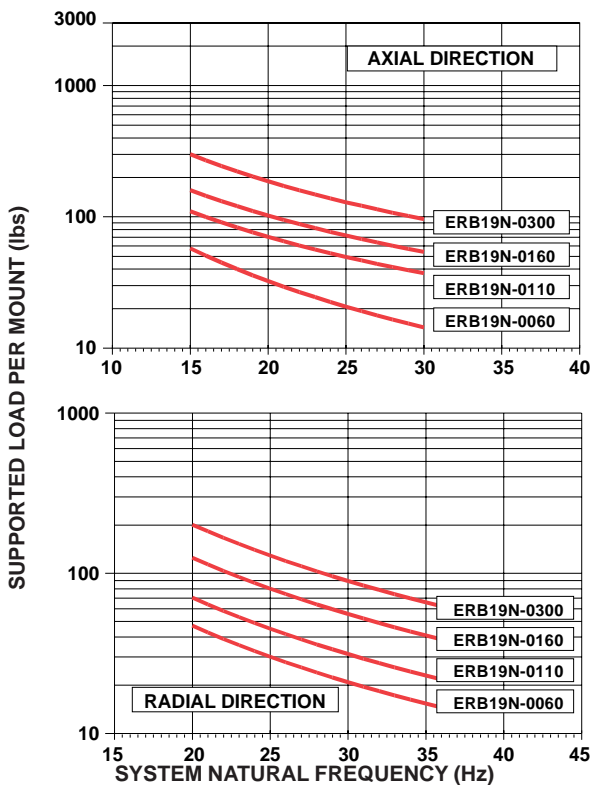
## Typical Applications

- Construction Equipment
- Electric Motors
- Heavy Duty Applications
- HVAC Equipment
- Radiators and Tanks

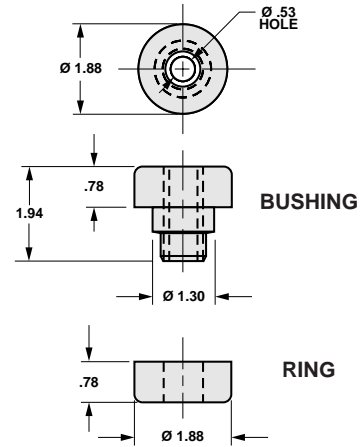
## Mount Installation



## LOAD VS. SYSTEM NATURAL FREQUENCY



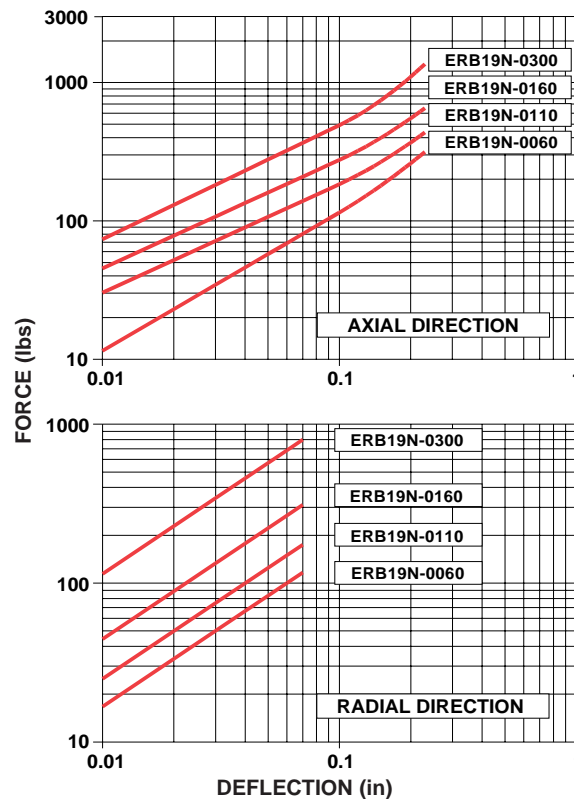
## Mount Dimensions



## Hardware Options

NUMBER OF WASHERS	HARDWARE CODE	WASHER DIMENSIONS		
		INSIDE DIAMETER (in)	OUTSIDE DIAMETER (in)	THICKNESS (in)
0	00			
1	01			
2	02	.53	2.13	.13

## LOAD VS. DEFLECTION



# ERB19N Ring & Bushing Series

Axial Load Range: 60 to 1300 N

Radial Load Range: 60 to 900 N

Metric  
Data

all dimensions in  
millimeters

## Features & Benefits

- Wide Load Range
- Excellent Rebound Protection
- Loading in the Axial or Radial Direction

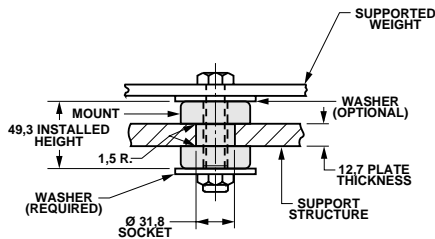
## Material Information

- Elastomer: Neoprene
- Metals: Low Carbon Steel  
Rust Preventative Coating
- Temperature Range: -20°C to 90°C

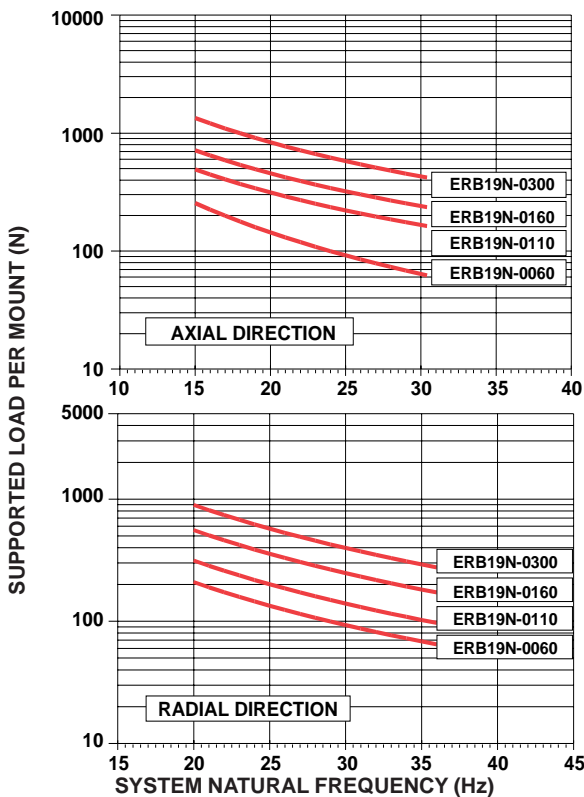
## Typical Applications

- Construction Equipment
- Electric Motors
- Heavy Duty Applications
- HVAC Equipment
- Radiators and Tanks

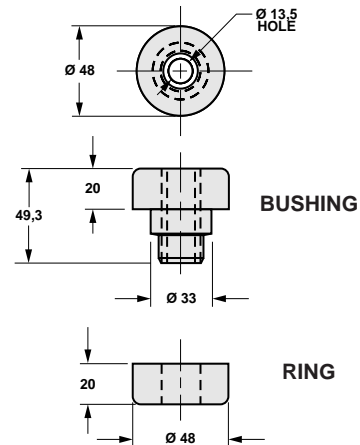
## Mount Installation



## LOAD VS. SYSTEM NATURAL FREQUENCY



## Mount Dimensions



## Hardware Options

NUMBER OF WASHERS	HARDWARE CODE	WASHER DIMENSIONS		
		INSIDE DIAMETER (mm)	OUTSIDE DIAMETER (mm)	THICKNESS (mm)
0	00	13,5	54,1	3,4
1	01			
2	02			

## LOAD VS. DEFLECTION

