

# ELM Leveling Mount Series

Imperial  
Data

Load Range: 15 to 700 lbs

all dimensions in  
inches

## Features & Benefits

- Easy to Install
- Simple Construction
- Loading in the Axial Direction

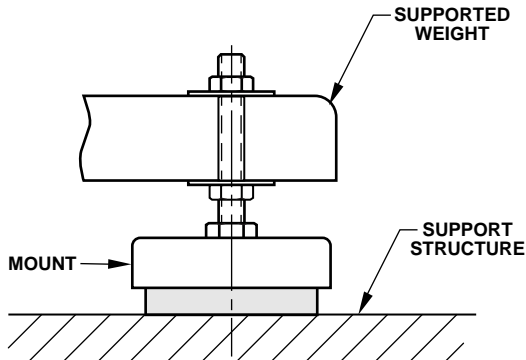
## Material Information

- Elastomer: Natural Rubber
- Metals: Low Carbon Steel  
Zinc Plated
- Temperature Range: -40°F to 180°F

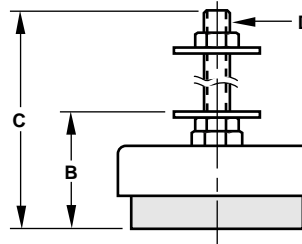
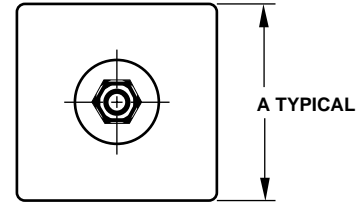
## Typical Applications

- Large Shipping Containers
- Machine Leveling
- Punch Press Mounts
- Shearing Machine Mounts

## Mount Installation



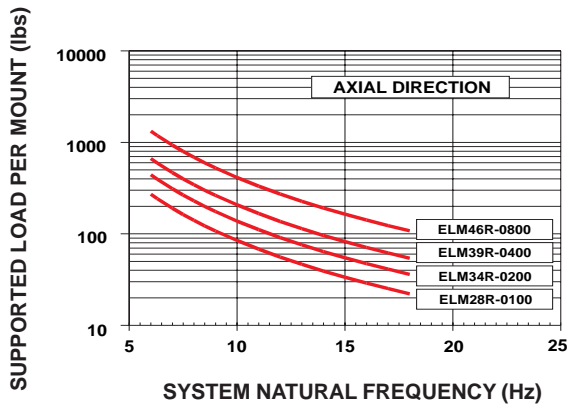
## Mount Dimensions



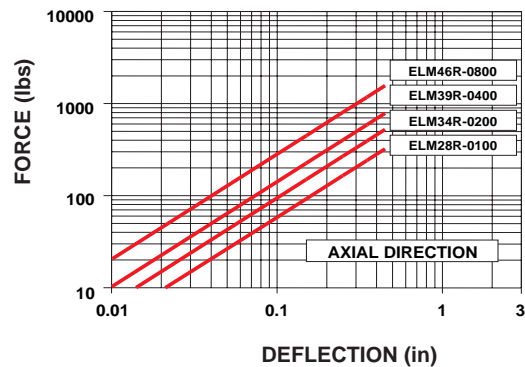
Mount Dimensions

MOUNT PART NUMBER	A (in)	B (in)	C (in)	D (in)
ELM28R-0100	2.32	2.29	5.00	3/8-16
ELM34R-0200	2.87	2.29	5.00	3/8-16
ELM39R-0400	3.30	2.47	6.00	1/2-13
ELM46R-0800	4.09	2.47	6.00	1/2-13

LOAD VS. SYSTEM NATURAL FREQUENCY



LOAD VS. DEFLECTION



# ELM Leveling Mount Series

Metric  
Data

Load Range: 65 to 3000 N

all dimensions in  
millimeters

## Features & Benefits

- Easy to Install
- Simple Construction
- Loading in the Axial Direction

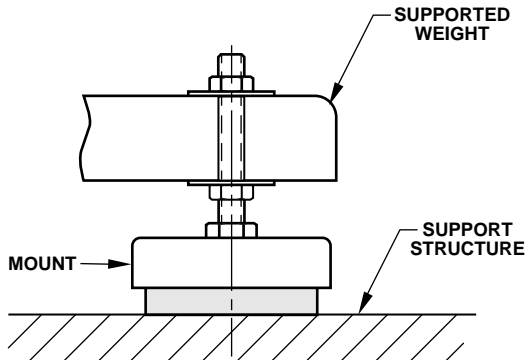
## Material Information

- Elastomer: Natural Rubber
- Metals: Low Carbon Steel  
Zinc Plated
- Temperature Range: -40°C to 80°C

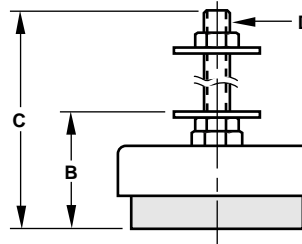
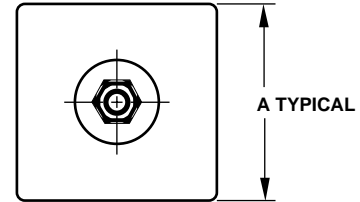
## Typical Applications

- Machine Leveling
- Large Shipping Containers
- Punch Press Mounts
- Shearing Machine Mounts

## Mount Installation



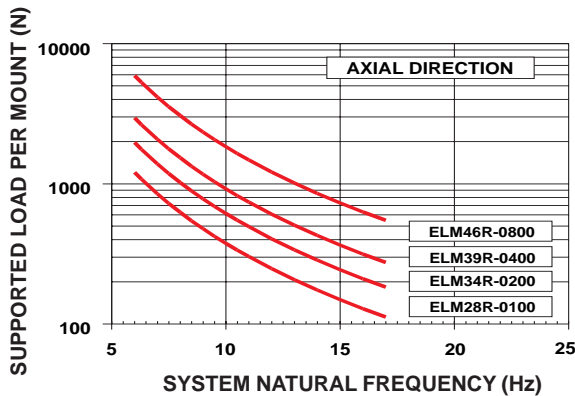
## Mount Dimensions



Mount Dimensions

MOUNT PART NUMBER	A (mm)	B (mm)	C (mm)	D (mm)
ELM28R-0100	59	58	127	M10 x 1,5
ELM34R-0200	73	58	127	M10 x 1,5
ELM39R-0400	84	63	152	M12 x 1,75
ELM46R-0800	104	63	152	M12 x 1,75

LOAD VS. SYSTEM NATURAL FREQUENCY



LOAD VS. DEFLECTION

